

## »GEKA-plus« series, brass with a bare metal surface

Claw couplings (claw distance: 40 mm) made of brass for water, industrial, mortar, suction and discharge hoses. Suitable for a wide range of applications, e.g. industrial plant engineering, civil and structural engineering, environmental engineering, manual trades, domestic water engineering, horticulture and landscaping, agriculture and forestry, etc.

Available in a rigid or 360° swivelling version. The two systems can also be easily coupled to one another!

Operating pressure	Max. 40 bar
Medium and ambient temperature	-10 °C to +90 °C
Sealant	NBR


**GEKA hose pieces, rigid**

Art. No.	Ident No.	Connection	Hose nominal width	L mm
K 100	107753	Hose bore I.D. 10 mm	3/8"	28.0
K 101	107754	Hose bore I.D. 13 mm	1/2"	28.0
K 102	107755	Hose bore I.D. 16 mm	5/8"	32.0
K 103	107756	Hose bore I.D. 19 mm	3/4"	32.0
K 104	107757	Hose bore I.D. 25 mm	1"	37.0
K 106	107758	Hose bore I.D. 32 mm	1 1/4"	48.0
K 107	107759	Hose bore I.D. 38 mm	1 1/2"	48.0



K 103

**GEKA threaded pieces with female thread, rigid**

Art. No.	Ident No.	Connection	L mm
K 108	107760	G 1/4 female	9.5
K 109	107761	G 3/8 female	9.5
K 110	107762	G 1/2 female	9.5
K 111	107763	G 3/4 female	10.5
K 113	107764	G 1 female	11.0
K 114	107765	G 1 1/4 female	13.5
K 116	107766	G 1 1/2 female	14.0



K 113

**GEKA threaded pieces with male thread, rigid**

Art. No.	Ident No.	Connection	L mm
K 119	107767	G 1/4 male	8.0
K 109 A	107768	G 3/8 male	8.0
K 110 A	107769	G 1/2 male	8.0
K 111 A	107770	G 3/4 male	8.0
K 113 A	107771	G 1 male	8.0
K 114 A	107772	G 1 1/4 male	13.0
K 116 A	107773	G 1 1/2 male	13.0



K 113 A



K 118



K 118-K

**GEKA dummy couplings**

Art No.	Ident No.	
K 118	107774	
K 118-K	107775	Chain for dummy coupling

**GEKA hose pieces, 360° swivelling**

Art. No.	Ident No.	Connection	Hose nominal width	L mm
K 201	107776	Hose bore I.D. 13 mm	1/2"	61.0
K 203	107777	Hose bore I.D. 19 mm	3/4"	66.0
K 204	107778	Hose bore I.D. 25 mm	1"	71.0
K 206	107779	Hose bore I.D. 32 mm	1 1/4"	81.0



K 203

**GEKA elbow hose pieces, 360° swivelling**

Art. No.	Ident No.	Connection	Hose nominal width	L mm
K 301	107780	Hose bore I.D. 13 mm	1/2"	60.0
K 303	107781	Hose bore I.D. 19 mm	3/4"	65.0
K 304	107782	Hose bore I.D. 25 mm	1"	74.0
K 306	107783	Hose bore I.D. 32 mm	1 1/4"	90.0



K 303

**GEKA threaded pieces with female thread, 360° swivelling**

Art. No.	Ident No.	Connection	L mm	a/f mm
K 210	107784	G 1/2 female	45.0	30
K 211	107785	G 3/4 female	44.0	32
K 213	107786	G 1 female	46.0	38



K 211

**GEKA threaded pieces with male thread, 360° swivelling**

Art. No.	Ident No.	Connection	L mm	a/f mm
K 210 A	107787	G 1/2 male	56.0	30.0
K 211 A	107788	G 3/4 male	56.0	32.0
K 213 A	107789	G 1 male	58.0	38.0



K 211 A

**GEKA hose pieces, rigid, safety version with screw-ring**

Art. No.	Ident No.	Connection	Hose nominal width	L1 mm	L mm
K 401	107790	Hose bore I.D. 13 mm	1/2"	31.0	67.0
K 403	107791	Hose bore I.D. 19 mm	3/4"	35.0	71.0
K 404	107792	Hose bore I.D. 25 mm	1"	42.0	76.0
K 406	107793	Hose bore I.D. 32 mm	1 1/4"	46.0	82.0



K 403

**GEKA threaded pieces with male thread, rigid, safety version with screw-ring**

Art. No.	Ident No.	Connection	t1 mm	L mm
K 411 A	107794	G 3/4 male	10.0	60.0
K 413 A	107795	G 1 male	10.0	62.0



K 411 A

**GEKA-branch pieces**

Art. No.	Ident No.	Connection
K 601	107796	1 x G 3/4 female, 2 x G 3/4 male
K 611	107797	3 x GEKA-couplings



K 601



K 611

**GEKA nozzles with hose stem**

Art. No.	Ident No.	Connection
K 701	107798	I.D. 13
K 703	107799	I.D. 19
K 704	107800	I.D. 25



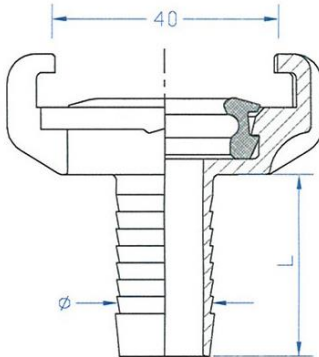
K 703

**GEKA nozzles with coupling connection**

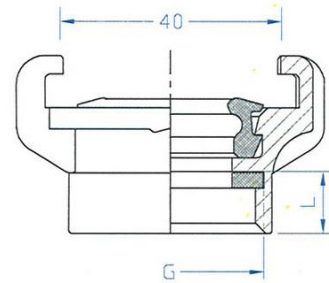
Art. No.	Ident No.	DN
K 711	107801	13
K 713	107802	19
K 714	107803	25



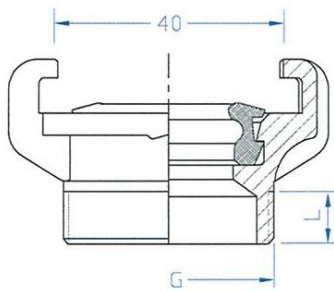
K 713



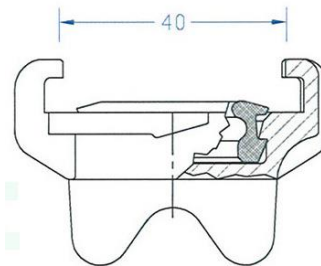
Hose piece



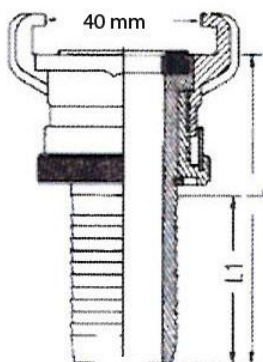
Female thread



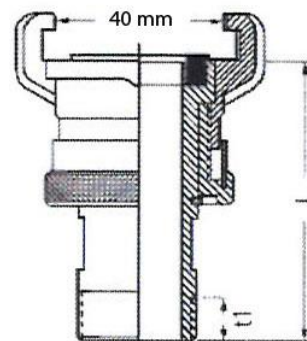
Male thread



Dummy coupling



Hose piece, safety version with screw-ring



Threaded piece, safety version with screw-ring